

TC2520-12MP

4/3" f=25mm F/2.0 12Megapixel Lens

● SPECIFICATIONS

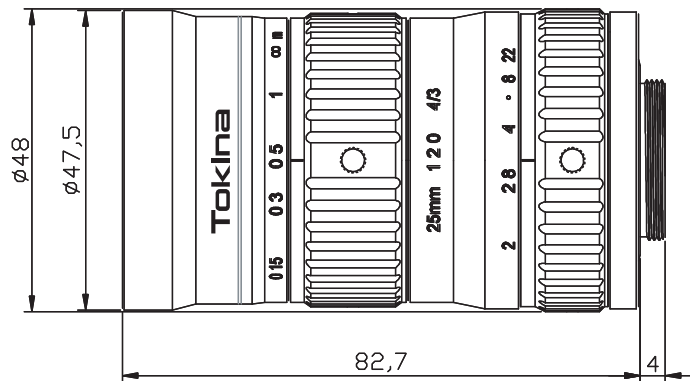
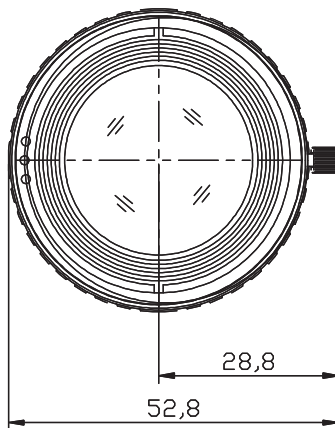
MODEL NUMBER		TC2520-12MP	FILTER SIZE	M46.0X0.75
IMAGE FORMAT		4/3-inch	DIMENSIONS	φ 48 x 82.7mm
FOCAL LENGTH		25mm	WEIGHT	250g
MAXIMUM APERTURE		F1:2.0	OPERATING TEMPERATURE	-10°C -+50°C
APERTURE RANGE		F2.0-22	MOUNT	C-mount
M.O.D.		0.15 m	FLANGE BACK	17.526mm
ANGLE OF VIEW (at 4/3 inch)	HORIZONTAL	40.6 °	BACK FOCAL LENGTH	22.43mm
	VERTICAL	31 °		12Megapixel

● DIMENSIONS

UP to 4.7micron.

CMV8000(5.5micron) AI-08050(5.5micron)

KAI-10100(4.75micron) KAC-12040(4.7micron)



UNIT: mm