

Tokina

MONOFOCAL LENS

TOKINA Co.,Ltd.

Security Products Division

120-4 NOZUTA-MACHI, MACHIDA-SHI,

TOKYO, 195-0063 JAPAN

TEL:+81-42-734-8912 FAX:+81-42-735-1463

E-mail:cctv@tokina.co.jp

TC0412AI f=4mm F1:1.2 VIDEO IRIS

SPECIFICATION

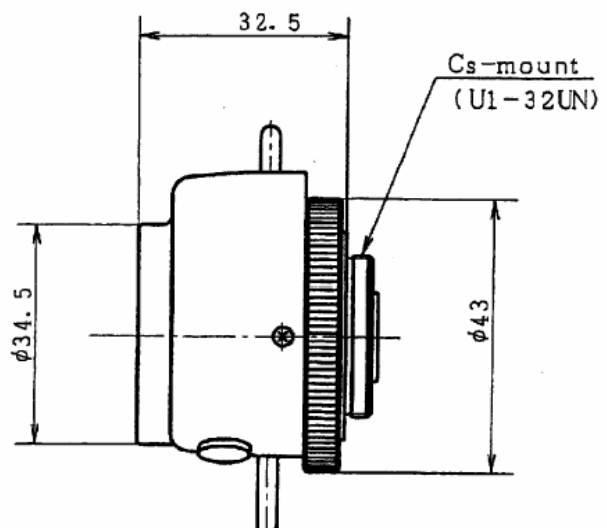
MODEL NUMBER		TC0412AI
IMAGE FORMAT		1/3inch
FOCAL LENGTH		4mm
MAXIMUM APERTURE		F1.2
APERTURE RATIO		F1.2-360
BACK FOCAL LENGTH		8.49
M.O.D.		0.3m
ANGLE OF VIEW	DIAGONAL	76.2°
	HORIZONTAL	63.8°
	VERTICAL	48.9°
FILTER SIZE		-
DIMENSIONS		W46.7×H32.5×D34.5mm
WEIGHT		75g
OPERATING TEMPERATURE RANGE		-10°C~45°C
OPERATING HUMIDITY RANGE		30%~70%
MOUNT		CS

●AUTO IRIS

INPUT VOLTAGE	DC+8V-16V
CURRENT CONSUMPTION	35mA OR LESS
INPUT SIGNAL	VS OR V SIGNAL
IRIS ACCURACY	±15% AT VIDEO SIGNAL LEVEL
SENSITIVITY	0.5~1.0Vp-p AT VIDEO SIGNAL LEVEL
RESPONSE SPEED	APPROX.1.5 SECONDS

●AUTO IRIS

CABLE COLOR	CONNECTION
RED	POWER (DC+8V-16V)
WHITE	VS OR V SIGNAL
GREEN	REMOTE
BLACK	GND



DESIGN AND SPECIFICATIONS ARE SUBJECT TO CHANGE WITHOUT NOTICE

PRINTED IN JAPAN