

## MOTORIZED ZOOM LENS

### TM30Z1028GAIIR (PNIR) 10 - 300mm F2.8 IR VIDEO IRIS

### TM30Z1028GDCIR (PNIR) 10 - 300mm F2.8 IR DC IRIS

#### ■SPECIFICATION

Image Format	1/2 inch (1/3 inch)		
Focal length	10-300mm		
Maximum Aperture	F:2.8		
Aperture Range	F:2.8 - CLOSE(M) F:2.8 - 360(GAI)		
Back Focal Length	43.27mm		
M.O.D	4m		
Angle of View ( )=1/3"	Diagonal	W43.6°(33.4°)	T1.5°(1.1°)
	Horizontal	W35.5°(27.0°)	T1.2°(0.9°)
	Vertical	W27.0°(20.4°)	T0.9°(0.7°)
Filter Size	M77mm P=0.75		
Dimensions	W105XH92XL218.5mm		
Weight	1,600g		
Temperature Range	-10°C ~ +50°C		
Humidity Range	30% - 70%		
Mount	C Mount		

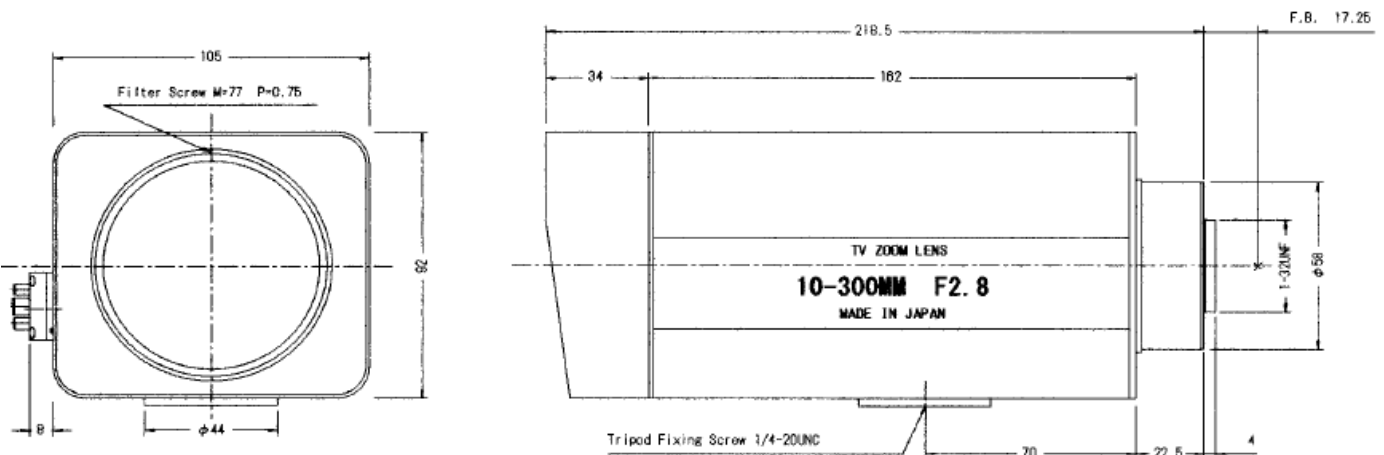
#### ●AUTO IRIS (GAI)

Input Voltage	DC+8-16V
Current Consumption	30mA or Less
Input Signal	VS or V signal
Iris Accuracy	±15% at Video Signal Level
Sensitivity	0.5-1.0V-p-p at Video Signal Level
Response Speed	Approx. 4 Seconds or less

#### ●AUTO IRIS (GAI)

Input Voltage	DC+8-16V
Current Consumption	30mA or Less
Input Signal	VS or V signal
Iris Accuracy	±15% at Video Signal Level
Sensitivity	0.5-1.0V-p-p at Video Signal Level
Response Speed	Approx. 4 Seconds or less

#### ■Apperance



#### ●AUTO IRIS (GAI)

Cable Color	Connection
Red	Power(DC+8-16V)
White	VS or V signal
Green	Not Used
Black	GND

#### ●Focus/Zoom

	Cable Color	Polarity	Direction
Focus	Black	+	INF.
	Green	-	
	Black	-	Near
Zoom	Green	+	
	Red	+	Wide
	Yellow	-	
	Red	-	Tele
	Yellow	+	

#### ●Preset Potentiometers(AIPN)

Cable Color	Connection
Orange	POT. Return
Gray	Zoom POT. Wire
Purple	POT. Supply
Blue	Focus POT.Wire