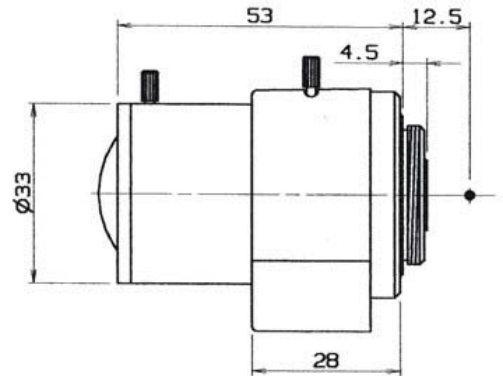


IR VARIFOCAL LENS

TVR2514DCIR f = 2.5 - 8.0mm F 1.4 IR Day & Night

SPECIFICATION

MODEL NUMBER	TVR2514DCIR
FORMAT	1/3"
FOCAL LENGTH	2.5-8.0mm
MAX. APERTURE	01:01.4
APERTURE RATIO	1.4 - 125
M.O.D	150mm
BACK FOCUS	8.51-16.86mm
FLANGE BACK	12.5mm
MOUNT	CS Mount
DIMENSION	f33x53mm
WEIGHT	100g
TEMPERATURE	-10°C ~ 50°C



ANGLE OF VIEW	1/3"	
Position	WIDE	TELE
Diagonal	129°	44°
Horizontal	105°	35.3°
Vertical	79.6°	26.5°
ANGLE OF VIEW	1/4"	
Position	WIDE	TELE
Diagonal	99°	33°
Horizontal	79.8°	26.5°
Vertical	59.8°	19.9°
Applic. Wavelength	430nm-950nm	

OPERATION

FOCUS	Manual
IRIS	DC Iris
ZOOM	Manual