

VARIFOCAL LENS

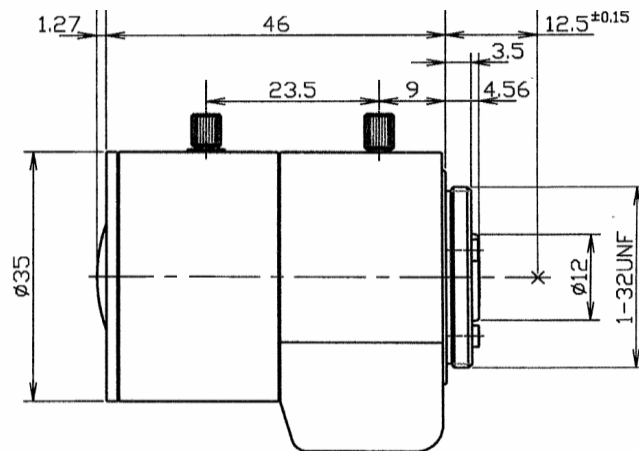
TVR0310DCIR f = 3.0 - 8mm F 1.0 DC IRIS Day/Night

SPECIFICATION

MODEL NUMBER		TVR3010DCIR	
IMAGE FORMAT		1/3inch	
FOCAL LENGTH		3.0 - 8mm	
MAXIMUM APERTURE		F1.0	
APERTURE RATIO		F1.0-360	
M.O.D.		0.2m	
ANGLE OF VIEW	DIAGONAL	W141.10°	T41.90°
	HORIZONTAL	W90.50°	T33.60°
	VERTICAL	W67.20°	T25.20°
DIMENSIONS		W47×H35×D47.5mm	
WEIGHT		60g	
OPERATING TEMPERATURE RANGE		-10°C - 45°C	
OPERATING HUMIDITY RANGE		30% - 70%	
MOUNT		CS	

●DC IRIS

CABLE COLOR	CONNECTION
WHITE	DRIVING COIL+
GREEN	DRIVING COIL-
BLACK	DAMPING COIL+
RED	DAMPING COIL-



DESIGN AND SPECIFICATIONS ARE SUBJECT TO CHANGE WITHOUT NOTICE